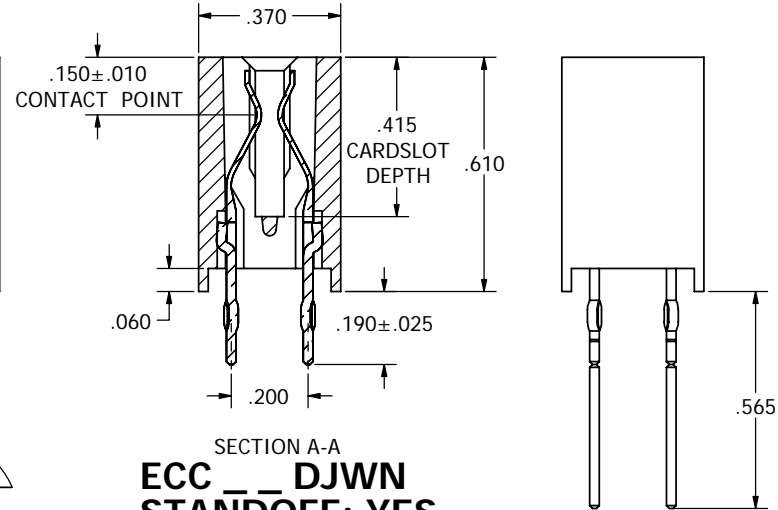
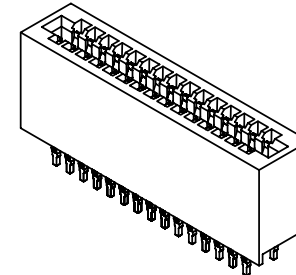
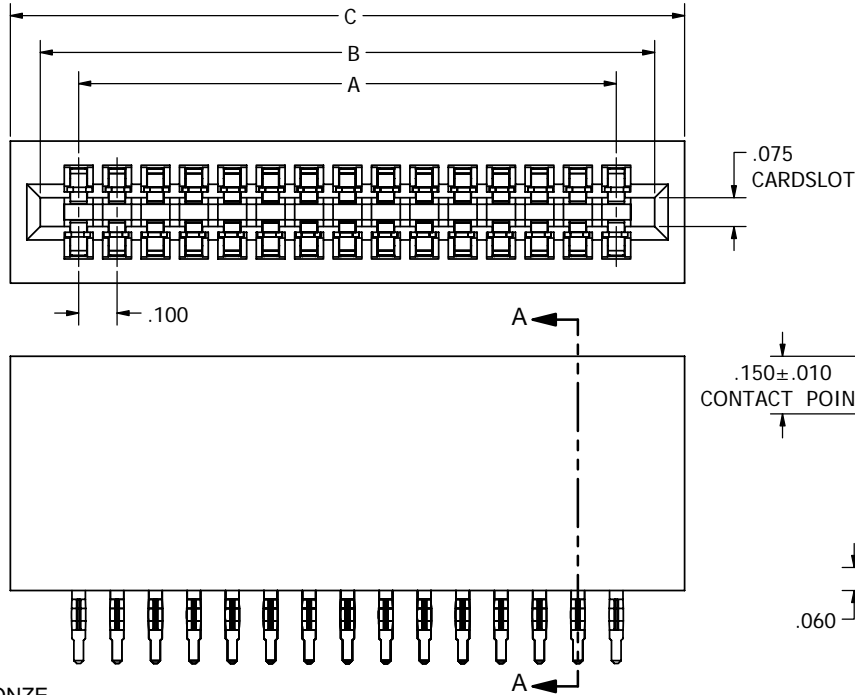


PRESS FIT
PART NUMBER CODING
ECC **D** **N-S1136**

MODIFICATION
 OMIT FOR STANDARD
 S1136 = WITH SCOOPS (SEE PAGE 3 AND 4)

TERMINATION
 JB = NO STANDOFF, .190 TAIL LENGTH (SEE PAGE 2)
 JC = NO STANDOFF, .625 TAIL LENGTH (SEE PAGE 2)
 JW = WITH STANDOFF, .190 TAIL LENGTH
 JX = WITH STANDOFF, .565 TAIL LENGTH

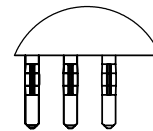
NUMBER OF POSITIONS



SECTION A-A
ECC __ DJWN
STANDOFF: YES
SCOOP: NO

ECC __ DJXN
STANDOFF: YES
SCOOP: NO

ALTERNATE PIN CONFIGURATION
 FOR ECC_ _DJWN CONFIGURATION



- NOTES:**
- INSULATOR MATERIAL: PBT
 - CONTACT MATERIAL: PHOSPHOR BRONZE
 - PLATING: .000050 NICKEL UNDERPLATE
.000030 GOLD ON CONTACT SURFACE
.000100 PURE TIN, MATTE, ON TERMINATION
 - TEMPERATURE: -65°C TO +125°C
 - UL FLAMMABILITY RATING: 94V-0
 - VOLTAGE RATING: 600 VDC MINIMUM AT SEA LEVEL.
 - CURRENT RATING: 3 AMP PER CONTACT PAIR
 - VOLTAGE DROP: 30 MILLI VOLT AT RATED CURRENT
 - INSULATION RESISTANCE: 5000 MEGA OHM
 - CONNECTOR IDENTIFICATION: THE PART SHALL BE MARKED WITH A PART NUMBER AND BARCODE
 - BOARD THICKNESS ACCOMMODATED: .062 ± .008" [1.57 ± 0.20]
 - BOARD INSERTION FORCE: 16 OZ MAX PER CONTACT PAIR WHEN USING A .062" [1.57] TEST BLADE. INTERNAL INSPECTION TO BE PER SULLIN'S WORK INSTRUCTION W17.3-01.
 - BOARD WITHDRAWAL FORCE: 1 OUNCE MINIMUM PER CONTACT PAIR USING .062" [1.57] PCB
 - COMPLIANT SECTION INSERTION FORCE: 40 LBS MAX. PER CONTACT.
 - COMPLIANT SECTION WITHDRAW FORCE: 10 LBS MIN. PER CONTACT.
 - HOLE SIZE REQUIREMENTS:
DRILLED HOLE DIAMETER: .0453 ± .0010 [1.150 ± 0.025]
PLATING: .001 [1.15] TO .003 [0.076] COPPER.
.0003 MINIMUM TIN.
FINISHED HOLE DIAMETER: .040 ± .003 [1.020 ± 0.077]
 - RECOMMENDED MOTHER BOARD THICKNESS: .093 [2.36] TO .125 [3.18] THICK.
 - MODIFICATION: SEE PART NUMBER CODING.

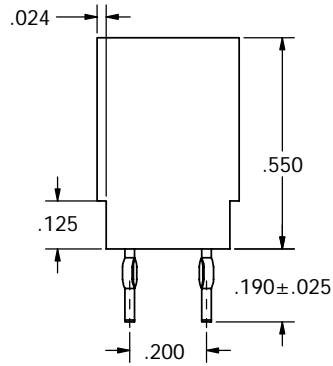
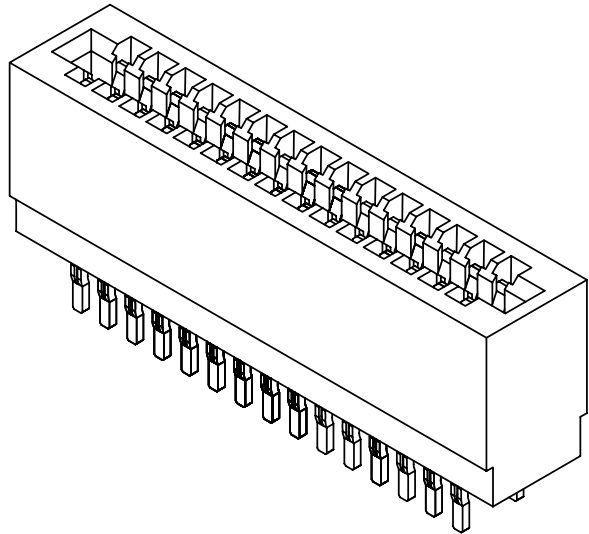
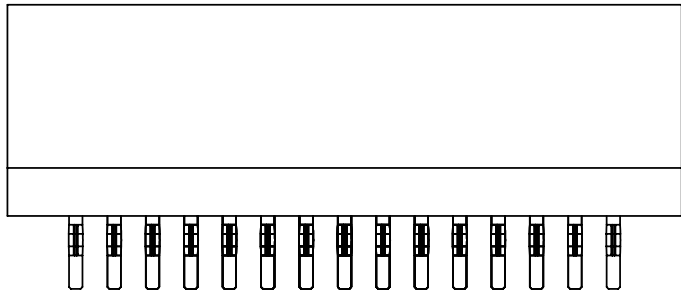
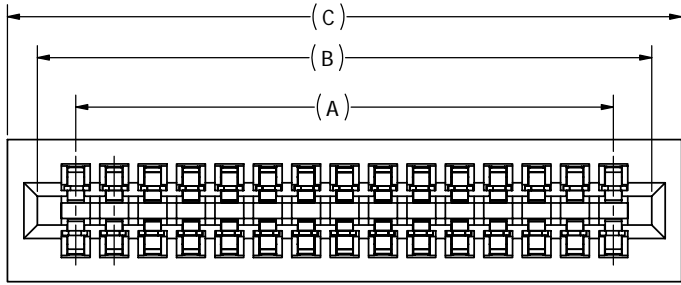
REVISIONS				
REV.	ECO. NO	DESCRIPTION	DATE	BY
A	1016	INITIAL RELEASE	05/04/06	MNH
B	1155	CHANGED SCOOP FROM .141 TO .129	9/22/06	TT
C	1214	SHOW ALTERNATE PIN CONFIGURATION ON PAGE 1 FOR DJWN SERIES CONNECTOR	12/13/2006	MNH

CUSTOMER COPY

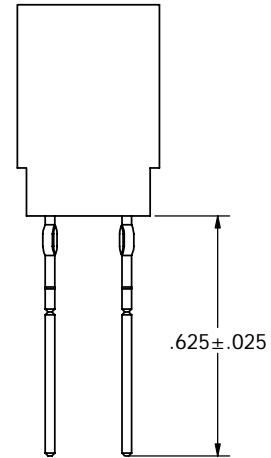


RoHS COMPLIANT

UNLESS OTHERWISE SPECIFIED: DIMENSIONS ARE IN INCHES[MM]		DATE	NAME	SULLINS ELECTRONICS DESCRIPTION: EDGECARD .100CC PRESS FIT PART NUMBER ECC_ _DJ_N, ECC_ _DJ_N-S1136 SIZE DWG. NO C C10713 SCALE: 4:1
TOLERANCES: ANGULAR: ± 1° XX = ± .02 [.508] .XXX = ± .005 [.1270] .XXXX = ± .0005 [.0127] PARENTHETICAL INFORMATION IS FOR REFERENCE ONLY		DRAWN	MNH	
INTERPRET DIMENSIONS AND GEOMETRIC TOLERANCING PER: ANSI Y14.5-1984		THE INFORMATION HEREIN CONTAINS PROPRIETARY INFORMATION OF SULLINS ELECTRONICS AND IS NOT TO BE REPRODUCED, USED OR DISCLOSED TO OTHERS FOR ANY PURPOSE EXCEPT AS SPECIFICALLY AUTHORIZED IN WRITING BY AN OFFICER OF SULLINS ELECTRONICS.		REV C



**ECC __ DJBN
STANDOFF: NO
SCOOP: NO**



**ECC __ DJCN
STANDOFF: NO
SCOOP: NO**

CUSTOMER COPY

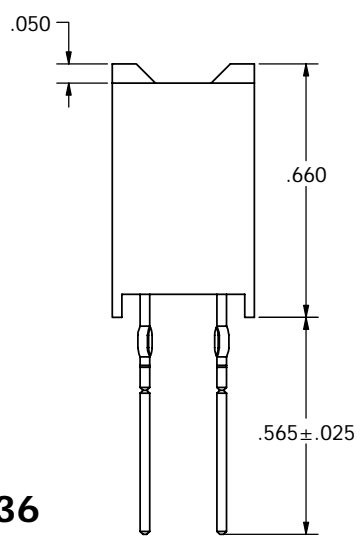
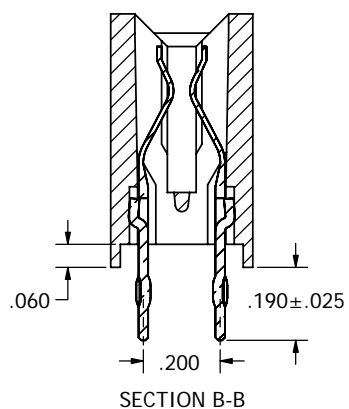
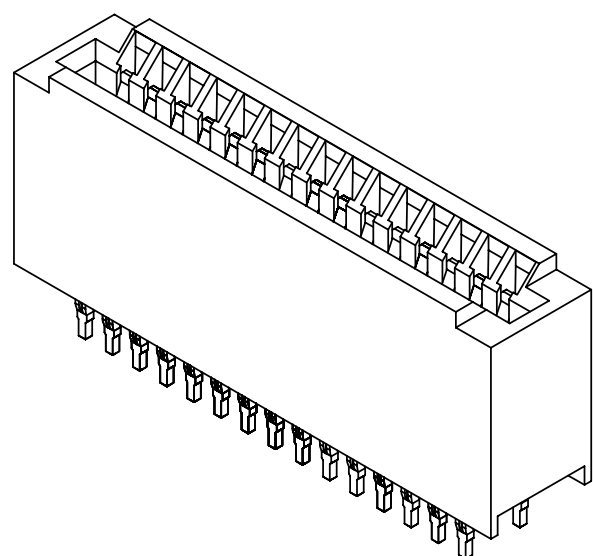
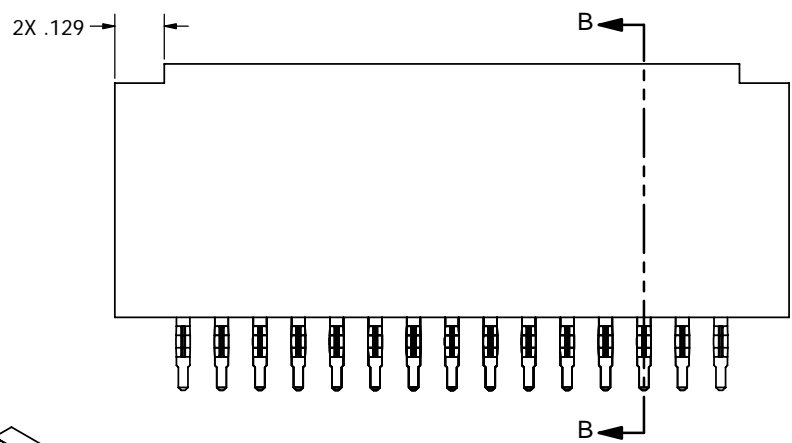
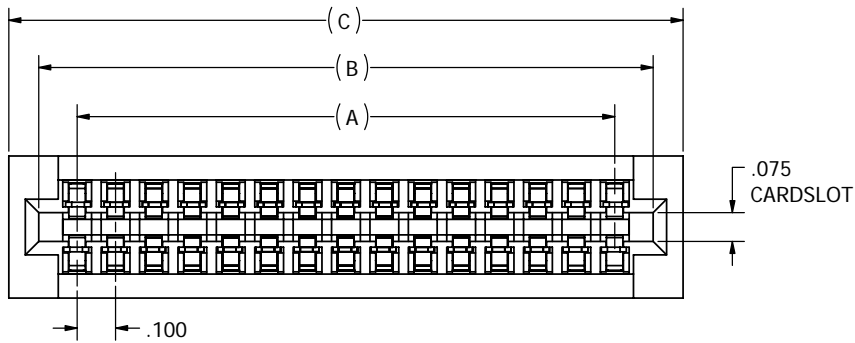


RoHS COMPLIANT

UNLESS OTHERWISE SPECIFIED:
DIMENSIONS ARE IN INCHES[MM]
TOLERANCES:
ANGULAR: ± 1°
XX = ± .02 [.508]
.XXX = ± .005 [.1270]
.XXXX = ± .0005 [.0127]
PARENTHETICAL INFORMATION IS FOR REFERENCE ONLY
INTERPRET DIMENSIONS AND GEOMETRIC TOLERANCING PER: ANSI Y14.5-1984

DATE	NAME
DRAWN	MNH
THE INFORMATION HEREIN CONTAINS PROPRIETARY INFORMATION OF SULLINS ELECTRONICS AND IS NOT TO BE REPRODUCED, USED OR DISCLOSED TO OTHERS FOR ANY PURPOSE EXCEPT AS SPECIFICALLY AUTHORIZED IN WRITING BY AN OFFICER OF SULLINS ELECTRONICS.	
SIZE	REV
C	C

SULLINS ELECTRONICS	
DESCRIPTION: EDGE CARD, .100CC PRESS FIT	
PART NUMBER ECC _ DJ_N, ECC _ DJ_N-S1136	
SIZE	REV
C	C
DWG. NO C10713	SCALE: 4:1
SHEET 2 OF 5	



ECC __ DJWN-S1136
STANDOFF: YES
SCOOP: YES

ECC __ DJXN-S1136
STANDOFF: YES
SCOOP: YES

CUSTOMER COPY

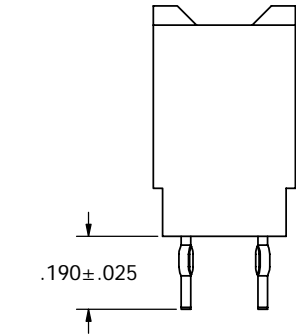
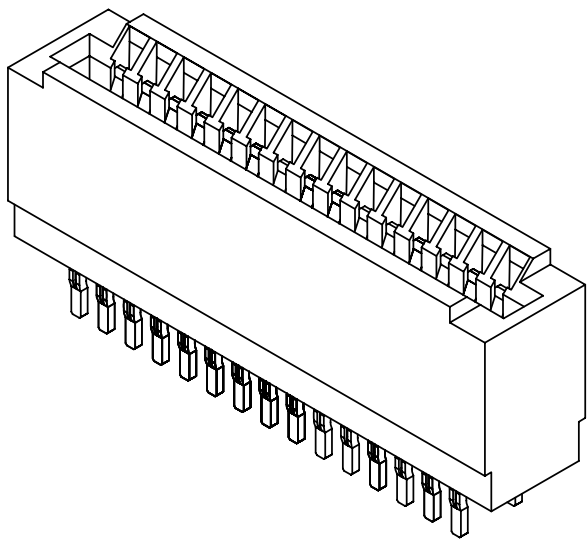
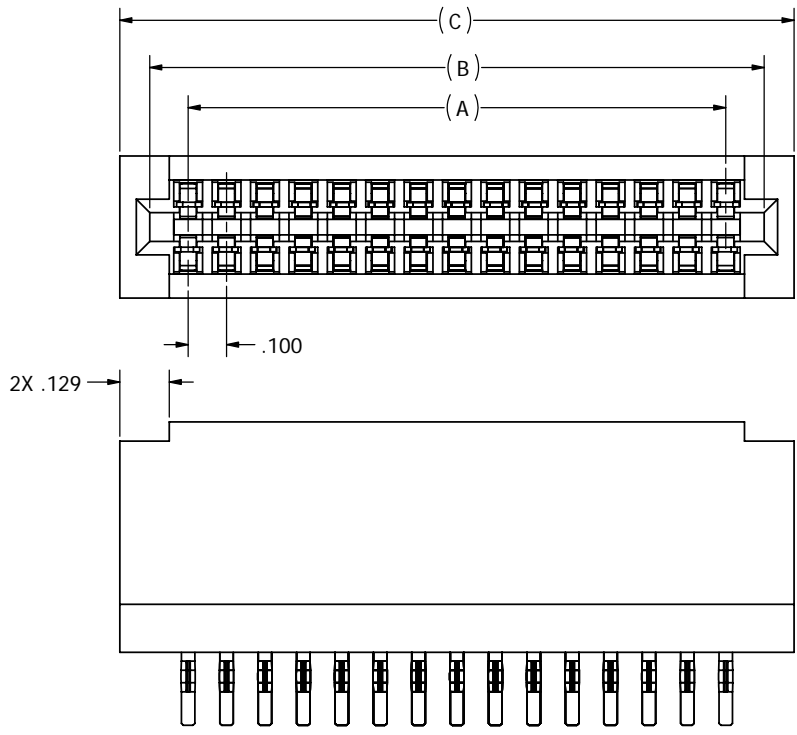


RoHS COMPLIANT

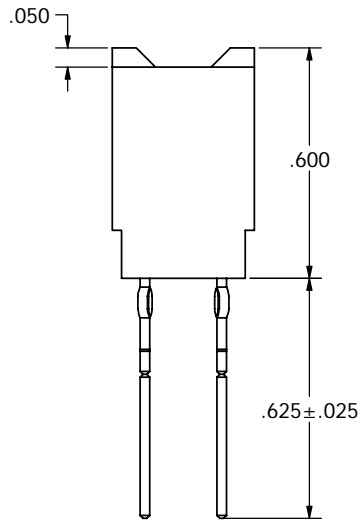
UNLESS OTHERWISE SPECIFIED:
 DIMENSIONS ARE IN INCHES[MM]
 TOLERANCES:
 ANGULAR: ± 1°
 XX = ± .02 [.508]
 .XXX = ± .005 [.1270]
 .XXXX = ± .0005 [.0127]
 PARENTHETICAL INFORMATION IS FOR REFERENCE ONLY

INTERPRET DIMENSIONS AND GEOMETRIC TOLERANCING PER: ANSI Y14.5-1984

DATE	NAME	SULLINS ELECTRONICS	
DRAWN	MNH	DESCRIPTION	
THE INFORMATION HEREIN CONTAINS PROPRIETARY INFORMATION OF SULLINS ELECTRONICS AND IS NOT TO BE REPRODUCED, USED OR DISCLOSED TO OTHERS FOR ANY PURPOSE EXCEPT AS SPECIFICALLY AUTHORIZED IN WRITING BY AN OFFICER OF SULLINS ELECTRONICS.		EDGE CARD, .100CC PRESS FIT	
PART NUMBER		ECC __ DJ_N, ECC __ DJ_N-S1136	
SIZE	DWG. NO.	REV	
C	C10713	C	
SCALE: 4:1		SHEET 3 OF 5	



ECC __ DJBN-S1136
STANDOFF: NO
SCOOP: YES



ECC __ DJCN-S1136
STANDOFF: NO
SCOOP: YES

CUSTOMER COPY

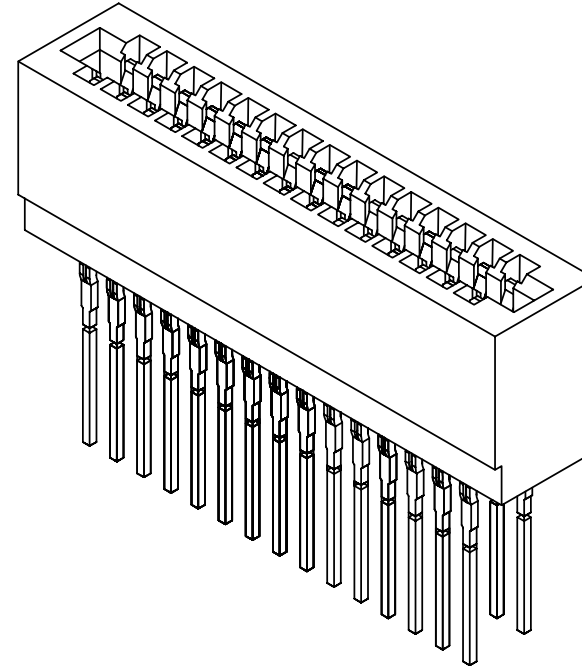


RoHS COMPLIANT

UNLESS OTHERWISE SPECIFIED:
 DIMENSIONS ARE IN INCHES[MM]
 TOLERANCES:
 ANGULAR: ± 1°
 XX = ± .02 [.508]
 .XXX = ± .005 [.1270]
 .XXXX = ± .0005 [.0127]
 PARENTHETICAL INFORMATION IS FOR REFERENCE ONLY
 INTERPRET DIMENSIONS AND GEOMETRIC TOLERANCING PER: ANSI Y14.5-1984

DATE	NAME	SULLINS ELECTRONICS	
DRAWN	MNH	DESCRIPTION: EDGE CARD, .100CC PRESS FIT	
THE INFORMATION HEREIN CONTAINS PROPRIETARY INFORMATION OF SULLINS ELECTRONICS AND IS NOT TO BE REPRODUCED, USED OR DISCLOSED TO OTHERS FOR ANY PURPOSE EXCEPT AS SPECIFICALLY AUTHORIZED IN WRITING BY AN OFFICER OF SULLINS ELECTRONICS.		PART NUMBER ECC __ DJ_N, ECC __ DJ_N-S1136	
SIZE	DWG. NO.	REV	
C	C10713	C	
SCALE: 4:1			SHEET 4 OF 5

PART NUMBER	NO. OF POSITIONS	A±.008[0.20]		B±.008[0.20]		C±.15[0.38]	
		INCH	MM	INCH	MM	INCH	MM
ECC05D __ N	5	0.400	10.16	0.600	15.24	0.756	19.20
ECC06D __ N	6	0.500	12.70	0.700	17.78	0.856	21.74
ECC07D __ N	7	0.600	15.24	0.800	20.32	0.956	24.28
ECC08D __ N	8	0.700	17.78	0.900	22.86	1.056	26.82
ECC09D __ N	9	0.800	20.32	1.000	25.40	1.156	29.36
ECC10D __ N	10	0.900	22.86	1.100	27.94	1.256	31.90
ECC11D __ N	11	1.000	25.40	1.200	30.48	1.356	34.44
ECC12D __ N	12	1.100	27.94	1.300	33.02	1.456	36.98
ECC13D __ N	13	1.200	30.48	1.400	35.56	1.556	39.52
ECC14D __ N	14	1.300	33.02	1.500	38.10	1.656	42.06
ECC15D __ N	15	1.400	35.56	1.600	40.64	1.756	44.60
ECC16D __ N	16	1.500	38.10	1.700	43.18	1.856	47.14
ECC17D __ N	17	1.600	40.64	1.800	45.72	1.956	49.68
ECC18D __ N	18	1.700	43.18	1.900	48.26	2.056	52.22
ECC19D __ N	19	1.800	45.72	2.000	50.80	2.156	54.76
ECC20D __ N	20	1.900	48.26	2.100	53.34	2.256	57.30
ECC21D __ N	21	2.000	50.80	2.200	55.88	2.356	59.84
ECC22D __ N	22	2.100	53.34	2.300	58.42	2.456	62.38
ECC23D __ N	23	2.200	55.88	2.400	60.96	2.556	64.92
ECC24D __ N	24	2.300	58.42	2.500	63.50	2.656	67.46
ECC25D __ N	25	2.400	60.96	2.600	66.04	2.756	70.00
ECC26D __ N	26	2.500	63.50	2.700	68.58	2.856	72.54
ECC27D __ N	27	2.600	66.04	2.800	71.12	2.956	75.08
ECC28D __ N	28	2.700	68.58	2.900	73.66	3.056	77.62
ECC29D __ N	29	2.800	71.12	3.000	76.20	3.156	80.16
ECC30D __ N	30	2.900	73.66	3.100	78.74	3.256	82.70
ECC31D __ N	31	3.000	76.20	3.200	81.28	3.356	85.24
ECC32D __ N	32	3.100	78.74	3.300	83.82	3.456	87.78
ECC33D __ N	33	3.200	81.28	3.400	86.36	3.556	90.32
ECC34D __ N	34	3.300	83.82	3.500	88.90	3.656	92.86
ECC35D __ N	35	3.400	86.36	3.600	91.44	3.756	95.40
ECC36D __ N	36	3.500	88.90	3.700	93.98	3.856	97.94
ECC37D __ N	37	3.600	91.44	3.800	96.52	3.956	100.48
ECC38D __ N	38	3.700	93.98	3.900	99.06	4.056	103.02
ECC39D __ N	39	3.800	96.52	4.000	101.60	4.156	105.56
ECC40D __ N	40	3.900	99.06	4.100	104.14	4.256	108.10
ECC41D __ N	41	4.000	101.60	4.200	106.68	4.356	110.64
ECC42D __ N	42	4.100	104.14	4.300	109.22	4.456	113.18
ECC43D __ N	43	4.200	106.68	4.400	111.76	4.556	115.72
ECC44D __ N	44	4.300	109.22	4.500	114.30	4.656	118.26
ECC45D __ N	45	4.400	111.76	4.600	116.84	4.756	120.80
ECC46D __ N	46	4.500	114.30	4.700	119.38	4.856	123.34
ECC47D __ N	47	4.600	116.84	4.800	121.92	4.956	125.88
ECC48D __ N	48	4.700	119.38	4.900	124.46	5.056	128.42
ECC49D __ N	49	4.800	121.92	5.000	127.00	5.156	130.96
ECC50D __ N	50	4.900	124.46	5.100	129.54	5.256	133.50
ECC51D __ N	51	5.000	127.00	5.200	132.08	5.356	136.04
ECC52D __ N	52	5.100	129.54	5.300	134.62	5.456	138.58
ECC53D __ N	53	5.200	132.08	5.400	137.16	5.556	141.12
ECC54D __ N	54	5.300	134.62	5.500	139.70	5.656	143.66
ECC55D __ N	55	5.400	137.16	5.600	142.24	5.756	146.20
ECC56D __ N	56	5.500	139.70	5.700	144.78	5.856	148.74
ECC57D __ N	57	5.600	142.24	5.800	147.32	5.956	151.28
ECC58D __ N	58	5.700	144.78	5.900	149.86	6.056	153.82
ECC59D __ N	59	5.800	147.32	6.000	152.40	6.156	156.36
ECC60D __ N	60	5.900	149.86	6.100	154.94	6.256	158.90



CUSTOMER COPY



RoHS COMPLIANT

UNLESS OTHERWISE SPECIFIED: DIMENSIONS ARE IN INCHES[MM]		DATE	NAME
TOLERANCES: ANGULAR: ± 1° XX = ± .02 [.508] .XXX = ± .005 [.1270] XXXX = ± .0005 [.0127] PARENTHETICAL INFORMATION IS FOR REFERENCE ONLY		DRAWN	MNH
THE INFORMATION HEREIN CONTAINS PROPRIETARY INFORMATION OF SULLINS ELECTRONICS AND IS NOT TO BE REPRODUCED, USED OR DISCLOSED TO OTHERS FOR ANY PURPOSE EXCEPT AS SPECIFICALLY AUTHORIZED IN WRITING BY AN OFFICER OF SULLINS ELECTRONICS.		DESCRIPTION: EDGE CARD, .100CC PRESS FIT	
INTERPRET DIMENSIONS AND GEOMETRIC TOLERANCING PER: ANSI Y14.5-1984		SIZE C	REV C
		DWG. NO. C10713	REV C
		SCALE: 4:1	SHEET 5 OF 5